

ASTRAL
Clamps & Hangers®

SUPPORT SYSTEM FOR PIPES AND FITTINGS

Technical Manual


Registered & Corporate Office : Astral Poly Technik Ltd.
 207/1, Astral House, B/h Rajpath Club, Off S. G. Highway, Ahmedabad - 380059.
 Ph: 079 6621 2000 | Fax: 079 6621 2121 | Website: www.astralpipes.com

For Export Enquiries: export@astralpipes.com

- Branch Offices: • MUMBAI : 022 - 2838 9744 • PUNE : 0 - 84461 14455
 • NEW DELHI : 011 - 2616 9461 • BENGALURU : 080 - 2661 7236 • HYDERABAD : 040 - 2332 0023
 • CHENNAI : 044 - 4350 6384 • JAIPUR : 0141 - 297 4322 • LUCKNOW : 0522 - 272 8844
 • KOCHI : 0484 - 2809 798 • INDORE : (0731) 4946 661 • KOLKATA : 0 - 98312 86491



ASTRAL TOLL FREE
1800 233 7957
 Please get in touch with us
 between 10 a.m. to 6 p.m.

All information contained in this manual is given in good faith and believed to be accurate and reliable. But because of many factors which are outside our knowledge and control and affect use of product, no warranty is given or is to be implied with respect to such information, nor we offer any warranty of immunity against patent infringement. No responsibility can be accepted for any error, omissions or incorrect assumptions. Any specification can change without prior notice.



For Residential & Commercial Applications



INDEX

About Astral	01
Introduction	02
Split Clamps	03
Sprinkler Hangers	05
Clevis Hangers	06
U - Bolts	07
Heavy Duty Saddles	08
Base U Clamps	09
Slotted 'C' Channels & Base Clamps	10
Slotted Base & Slotted Strips	11
Electric Junction Flush Boxes	12
Fasteners	12



INTRODUCTION

Extending our product portfolio, ASTRAL® is pleased to introduce comprehensive range of product for pipe support, hangers and Concealed wiring boxes which includes.

- Split Clamps
- Clevis Hangers
- Heavy Duty Saddles
- Slotted 'C' Channels & Base Clamps
- Sprinkler Hangers
- U - Bolts
- Slotted Base & slotted strip
- Electric Junction Flush Boxes

ASTRAL® clamps & hangers have universal uses where the support to pipes and cables is required.

These clamps & hangers can be used in building & infrastructure segments starting from residential to commercial to industrial application including plumbing, electrical & fire fighting.

ASTRAL clamps & hangers are available in sizes from 15mm (½") to 150mm (6").

These Clamps are available in both - with & without EPDM rubber lining.

These clamps & hangers are zinc coated & stainless steel finished.

ABOUT ASTRAL

Established in 1996 with the aim to manufacture best-in-globe plastic piping systems, Astral Pipes fulfils emerging piping needs of millions of houses and adds extra mileage to India's developing real estate fraternity with the hallmark of unbeaten quality and innovative piping solutions. Keeping itself ahead of technology curve, Astral has always been a front runner in the piping category by bringing innovation and getting rid of old, primitive and ineffective plumbing methods. Bringing CPVC in India and pioneering in this technology, have set Astral apart and enabled it to obtain NSF approval for its CPVC pipes and fittings. Astral went beyond category codes by launching many industry firsts, like launching India's first lead-free uPVC pipes for plumbing as well as for stream water, just to name a few.

Astral Pipes offers the widest product range across this category when it comes to product applications. Astral Pipes is equipped with production facilities at Santej and Dholka in Gujarat, Hosur in Tamil Nadu and Ghilot in Rajasthan to manufacture plumbing systems, drainage systems, agriculture systems, fire sprinkler piping systems, industrial piping and electrical conduit pipes with all kinds of necessary fittings.

Astral Pipes has recently acquired Rex Polyextrusion Pvt. Ltd. which enables to expand its product range in terms of offering corrugated piping for drainage and cables, polyolefin cable channels, sewage treatment plants, plastic sheathing ducts, suction hoses, telecommunication PLB ducts and sub-surface drainage systems. This range helps Astral to establish a strong foothold in infrastructure and agriculture sector in the constantly evolving business of piping.

In 2014, Astral forayed into the adhesives category by acquiring UK-based Seal It Services Ltd. and Kanpur based Resinova Chemie Ltd. which manufacture adhesives, sealants and construction chemicals. With five manufacturing facilities now in this business segment, Astral has strengthened its presence in the category and made rapid inroads.

Brand Astral stands for innovation and for setting new trends in the piping industry. Bringing newer piping technologies and continuous innovation in existing as well as new products have been the focal point at Astral. This special emphasis helps the brand set the bar higher and lead amongst others by example. Astral is also known for its compromise-free quality and exceeds consumer's expectations. Right from introducing new piping technologies to innovative brand communications in the category, Astral's brand mission has been to maintain and grow a commanding presence in the minds of customers and to deliver promised values consistently.

APPLICATIONS EVERYWHERE

Residential	Commercial	Industrial
<ul style="list-style-type: none"> • Apartments • High rise buildings 	<ul style="list-style-type: none"> • Hotels • Hospitals • Shopping malls • Parking • HVAC 	<ul style="list-style-type: none"> • Petroleum • Tele Communication • Fire Fighting • Plastics & Rubber • Solar Plants & many more

FEATURES – APPLICATION EVERYWHERE

- Quick & Easy Installation
 - Corrosion Resistant
 - Higher Strength
 - Greater safety
 - Versatile & Elegant
 - Maintenance free
 - EPDM rubber lining
 - Electro galvanized zinc coating ≥ 10 micron
- Available sizes from ½" (15mm) to 6" (150 mm) for all pipes.



SPLIT CLAMPS

Provided by ASTRAL®, is an impeccable range of Split Clamps that is widely demanded for ceiling suspension as well as vertical piping wall mounting. Moreover, the Split Clamps offered by us have no other alternative available in the market when it comes to supreme quality, longer service life and dimensional accuracy. ASTRAL® Split Clamps designed with a number of features to enhance product performance and reliability.



ADVANTAGES

- With highly elastic insert
- Captive fastening screws
- High rigidity thanks to reinforcing rib
- Usable temperature range from - 50°C to +110°C
- Fastening screws with combination cross - head
- Safe handling thanks to rounded flange
- Clip-over edges and the guide rib of the pipe clamps insert ensures a secure hold and prevents it from being pushed out
- Easy repairs and maintenance.

RANGE

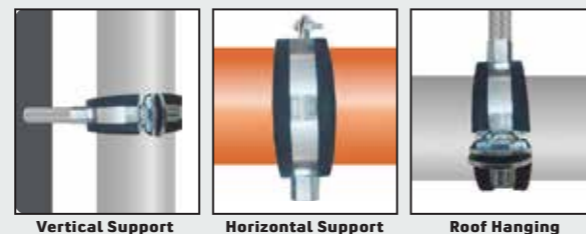
- Plain Split Clamps
 - EPDM Rubber Lined Split Clamps
- Size : 15mm (1/2") to 150 mm (6")

FEATURES & BENEFITS

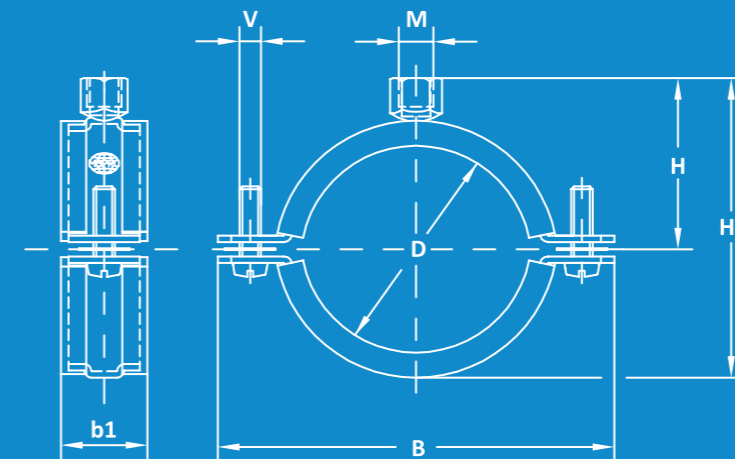
1. Lock bolts allow adjustment to accommodate varying pipe diameters.
2. Rubber pad inner grooves for tight support.
3. Strengthened welded nut
M8/ M10 - 1/2" to 3"
M12 - 4" to 6"
4. EPDM rubber lining for vibration and sound insulation.
5. M6 Screws & Nuts for Sizes 1/2" to 3" M8 lock bolts for Sizes 4" to 6".
6. Zinc coated electro galvanized steel clamps body (Corrosion Resistant).



ASTRAL® split pipe support clamps keep a fair distance between the pipe and the wall which facilitates future repairs and in maintaining a clean and aesthetic wall.



Product Code		Size		Dimensions [mm]							
With Rubber	Without Rubber	mm	inch	'D' Clamping Range	'M' Hold-on Nut	W x T	B	B1	H	H1	V
T101-005R	T101-005	15	1/2"	20-25	M8 & M10	20x2	68	23	28	40	M6
T101-007R	T101-007	20	3/4"	26-30	M8 & M10	20x2	73	23	31	45	M6
T101-010R	T101-010	25	1"	32-37	M8 & M10	20x2	81	23	34	52	M6
T101-012R	T101-012	32	1 1/4"	38-44	M8 & M10	20x2	88	23	38	59	M6
T101-015R	T101-015	40	1 1/2"	47-55	M8 & M10	20x2	98	23	42	67	M6
T101-020R	T101-020	50	2"	59-65	M8 & M10	20x2	109	23	48	79	M6
T101-025R	T101-025	65	2 1/2"	72-78	M8 & M10	20x2	121	23	54	92	M6
T101-030R	T101-030	80	3"	87-93	M8 & M10	20x2	136	23	62	107	M6
T101-040R	T101-040	100	4"	108-116	M12	20x2	156	23	72	128	M8
T101-060R	T101-060	150	6"	158-168	M12	20x2	211	23	97	178	M8



Size	Max. Recommended Load [N]
1/2" & 3/4"	853
1", 1 1/4", 1 1/2", 2"	880
2 1/2"	1,355
3" 4" & 6"	2,044

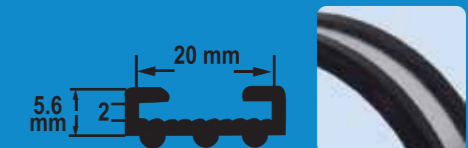


RANGE

Material	EPDM
Stretch	> 250%
Hardness	65 Shore A
Ozone Resistance	Grade 0
Temperature Resistance	-40°C + 110°C

EPDM RUBBER LINING

EPDM rubber lining ensures smooth and tight grip. It absorbs any vibrations and noise due to flow inside the pipe and thus enhances support strength. Since the vibrations and noise do not pass to nuts and bolts they in turn not become loose and continue to hold the clamps in place.



SPRINKLER HANGER

To acquire the total client satisfaction, ASTRAL® produce a comprehensive range of Sprinkler Hangers in different sizes and specifications. Made from supreme quality materials, our range is accurately designed in accordance with the set quality standards. ASTRAL® sprinkler Hangers are one piece Hangers to provide high permissible loads.

RANGE

- Plain Sprinkler Hangers
- EPDM Rubber Lined Plain Sprinkler Hangers, 15mm (1/2") to 150 mm (6")

Product Code		'D' Nominal Pipe Size		Dimensions [mm]				
With Rubber	Without Rubber	mm	inch	'M' Rod Size	M x T	B	H1	S
T102 - 005R	T102 - 005	15	1/2"	M8	25 x 1.5	29	74	1.50
T102 - 007R	T102 - 007	20	3/4"	M8	25 x 1.5	29	76	
T102 - 010R	T102 - 010	25	1"	M10 / M12	25 x 1.5	29	83	
T102 - 012R	T102 - 012	30	1 1/4"	M10 / M12	25 x 1.5	29	95	
T102 - 015R	T102 - 015	40	1 1/2"	M10 / M12	25 x 1.5	29	107	
T102 - 020R	T102 - 020	50	2"	M10 / M12	25 x 2.5	29	122	2.50
T102 - 025R	T102 - 025	65	2 1/2"	M10 / M12	25 x 2.5	29	140	
T102 - 030R	T102 - 030	80	3"	M10 / M12	25 x 2.5	29	160	
T102 - 040R	T102 - 040	100	4"	M10 / M12	25 x 2.5	29	180	
T102 - 060R	T102 - 060	150	6"	M16	30 x 3.0	36	247	

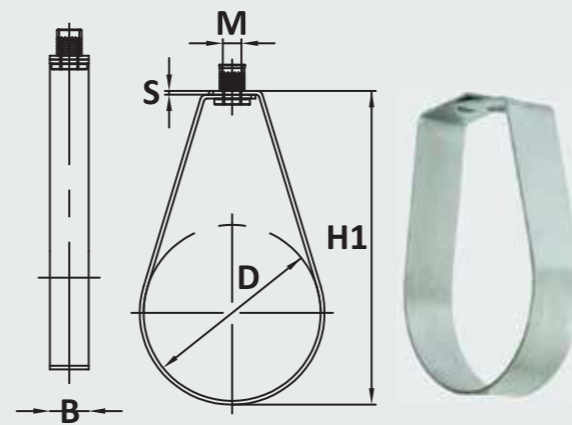


EPDM RUBBER CASING FOR SMOOTH SUPPORT

The rubber makes an extra grip on the pipe. It also absorbs any vibrations or noise due to the flow inside the pipe and stops them from going to the nuts and bolts and they remain tight and secure.

FEATURES & BENEFITS

- Used for sprinkler system installation
- Used for fire extinguishing system
- Used for free hanging horizontal pipe lines
- Pipe levels can be adjusted vertically after installation
- One piece clip guarantees a high permissible load
- Lips are dimpled at bend for added strength
- Mounting without any tools
- Available EPDM lined to prevent contact between Dissimilar materials; Minimize condensation



Size	Max. Recommended Load [N]
1/2" - 1 1/2"	4,666
2" - 4"	6,666
6"	7,333

CLEVIS HANGERS



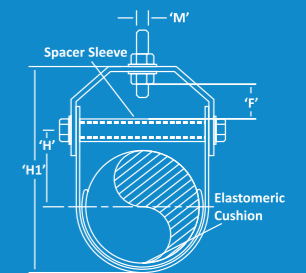
With the help of our team of experts, ASTRAL® have been able to provide a comprehensive range of Clevis Hangers. Produced under the guidance of our team of quality analysts, we make sure for less maintenance, dimensional accuracy and corrosion resistance. These are perfect to be used in installing heavy equipment or machinery and to fix barriers, roller shutters & fire doors, balustrade and switchgear.

RANGE

- Plain Sprinkler Hangers
- EPDM Rubber Lined Plain Sprinkler Hangers, 15mm (1/2") to 150 mm (6")



Product Code		Nominal Pipe Size		Dimensions [mm]			
With Rubber	Without Rubber	mm	inch	'M' Rod Size	W x T	H	H1
T103 - 007R	T103 - 007	20	3/4"	M8 / M10	25 x 3	30	86
T103 - 010R	T103 - 010	25	1"	M8 / M10	25 x 3	33	94
T103 - 012R	T103 - 012	30	1 1/4"	M8 / M10	25 x 3	38	106
T103 - 015R	T103 - 015	40	1 1/2"	M8 / M10	25 x 3	42	117
T103 - 020R	T103 - 020	50	2"	M8 / M10	25 x 3	48	128
T103 - 025R	T103 - 025	65	2 1/2"	M8 / M10	25 x 3	53	140
T103 - 030R	T103 - 030	80	3"	M12	30 x 5	64	180
T103 - 040R	T103 - 040	100	4"	M12	30 x 5	76	211
T103 - 060R	T103 - 060	150	6"	M16	38 x 5	108	279



EPDM RUBBER

Casing for smooth support

The rubber makes an extra grip on the pipe. It also absorbs any vibrations and noise due to flow inside the pipes and does not let them pass to the nuts and bolts which do not become loose as a result.

Size	Max. Recommended Load [N]
3/4" - 1 1/2"	4,666
2" - 4"	6,666
6"	7,333

FEATURES & BENEFITS

- Clevis Hangers are recommended for support of very heavy pipe loads and as the most satisfactory general-purpose pipe hangers for all sizes of pipe.
- Designed for chilled water pipe work and fire fighting systems.
- Clevis Hangers are also designed for use with flanged or bell and spigot cast iron pipe.
- There is adequate visible adjustment, which may be made after erection (see column F).
- The hanger may be locked in position after adjustment by means of the upper nut on the hanger rod.
- The hinged upper section of the hanger provides for small longitudinal movements of the pipe.

Unique design element of yoke on outside of lower strap barring the yoke from sliding toward the center of the bolt resulting in minimizing of bending of the bolt.

U-BOLTS

ASTRAL® provide U-Bolts that is manufactured using high grade mild steel electro galvanized material. ASTRAL® U-Bolt that we offer are demanded for clamping of insulated as well as plain pipes to supports like floor stands, trapeze hangers, wall brackets, etc.

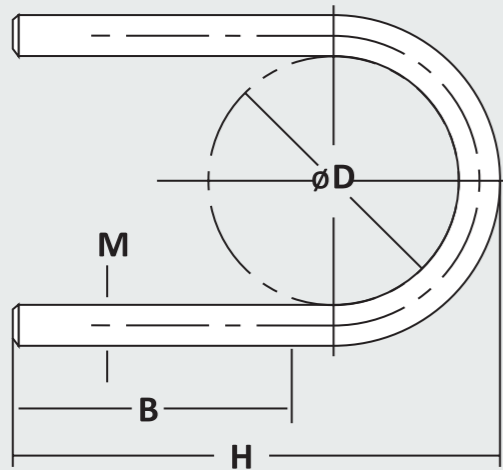
RANGE

Product Code		Nominal Pipe Size		Dimensions [mm]		
With Rubber	Without Rubber	mm	inch	'M' Rod Size	B	H
T104 - 005 R	T104 - 005	15	½"	M8	30	53
T104 - 007 R	T104 - 007	20	¾"	M8	27	58
T104 - 010 R	T104 - 010	25	1"	M8	27	66
T104 - 012 R	T104 - 012	32	1¼"	M8	27	73
T104 - 015 R	T104 - 015	40	1½"	M8	32	86
T104 - 020 R	T104 - 020	50	2"	M8	28	95
T104 - 025 R	T104 - 025	65	2½"	M8	28	107
T104 - 030 R	T104 - 030	80	3"	M8	29	121
T104 - 040 R	T104 - 040	100	4"	M8	30	147
T104 - 060 R	T104 - 060	150	6"	M8	40	206



EPDM RUBBER Casing for smooth support

The rubber makes an extra grip on the pipe. It also absorbs any vibrations and noise due to flow inside the pipes and does not let them pass to the nuts and bolts which do not become loose as a result.



FEATURES & BENEFITS

- U-BOLTS are recommended for heavy duty service.
- U-BOLTS are used to hold for simple pipe attachment or conduit securely against any surface in building technology and industrial construction.
- Height 'h1' is sufficient to fasten through a ½" inch thick plate.
- They may be used for guiding or anchoring pipe or for the support of heavy loads, often employed in power, process plant and marine service.
- Special u-bolts may be obtained to any specifications you may require.

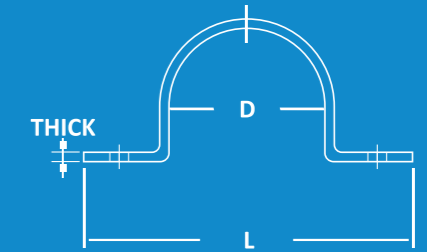
HEAVY DUTY SADDLES



ASTRAL®, We have integrated our experience and latest manufacturing facilities to produce a comprehensive range of Heavy Duty Saddles. ASTRAL® Heavy Duty Saddles are acclaimed for its adjustable height, high permissibility, corrosion resistance and rigid construction. These can be customized as per the specifications of our valued clients without compromising on quality.

HEAVY DUTY SADDLE (CPVC / COPPER PIPES)

Product Code	Normal Pipe Size		Dimensions [mm]			
	mm	inch	'D' Clamping Size	W x T	L	Screw / Nut
T105 - 005 C	15	½"	16.4	23 x 1.0	58.40	M6
T105 - 007 C	20	¾"	22.7	23 x 1.0	64.70	M6
T105 - 010 C	25	1"	29.1	23 x 1.0	71.10	M6
T105 - 012 C	32	1¼"	35.4	23 x 1.0	77.40	M6
T105 - 015 C	40	1½"	41.8	23 x 1.0	83.80	M6
T105 - 020 C	50	2"	54.6	23 x 1.5	97.60	M6



HEAVY DUTY SADDLE (uPVC / G. I. PIPE)

Product Code	Normal Pipe Size		Dimensions [mm]			
	mm	inch	'D' Clamping Size	W x T	L	Screw / Nut
T105 - 005	15	½"	21.8	23 x 1.0	63.80	M6
T105 - 007	20	¾"	27.2	23 x 1.0	69.20	M6
T105 - 010	25	1"	33.9	23 x 1.0	75.90	M6
T105 - 012	32	1¼"	42.7	23 x 1.0	84.70	M6
T105 - 015	40	1½"	48.8	23 x 1.0	90.80	M6
T105 - 020	50	2"	60.9	23 x 1.5	103.90	M6



HEAVY DUTY SADDLE (uPVC / CPVC / G. I. PIPE)

Product Code	Normal Pipe Size		Dimensions [mm]			
	mm	inch	'D' Clamping Size	W x T	L	Screw / Nut
T105 - 025	65	2½"	75	25 x 1.5	118.7	M6
T105 - 030	80	3"	90	25 x 1.5	133.9	M8
T105 - 040	100	4"	114	25 x 1.5	158.8	M8
T105 - 060	150	6"	168	30 x 3.0	215.3	M8



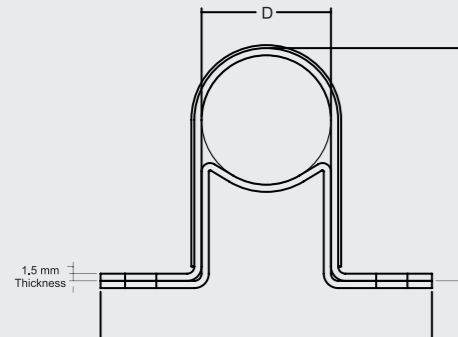
FEATURES & BENEFITS

- Heavy Duty saddles are designed to secure Steel, Copper, uPVC, CPVC pipe tight against any surface.
- Heavy Duty saddles are made from steel and are recommended for use in almost any circumstances in which a pipe is to be fastened securely against a steel, wood, or concrete surface.
- Heavy Duty saddles also available with powder coating.
- Heavy Duty saddles may be obtained in alloy steel for high temperatures or to special dimensions to your specifications.
- Especially useful in Water treatment plant for holding membranes and pipes.
- For pipes running on channels and angles strong and convenient support solution

BASE U CLAMPS

ASTRAL® Base U Clamps allows two piece clamp adjustment. These base U clamp are easy to install and convenient and can be customize as per our customers specifications. ASTRAL® Base U Clamps Recommended for support of pipe lines running at a definite distance from the wall or floor of a building or structure.

These clamps are useful where frequent adjustment have to be made. ASTRAL® Base U Clamps are especially used in applications where the installations are complicated.



Product Code	Normal Pipe Size		Dimensions [mm]					Screw / Nut
	mm	inch	'D' Clamping Size	W x T	L	H		
T106 - 007 C	20	¾"	22.4	18 x 1.5	70.4	42.5	M6	
T106 - 010 C	25	1"	22.8	18 x 1.5	70.8	50.5	M6	
T106 - 012 C	32	1¼"	35.1	18 x 1.5	77.1	60.5	M6	
T106 - 015 C	40	1½"	41.5	18 x 1.5	83.5	66.5	M6	
T106 - 020 C	50	2"	54.3	18 x 1.5	104.3	75.5	M6	

Product Code	Normal Pipe Size		Dimensions [mm]					Screw / Nut
	mm	inch	'D' Clamping Size	W x T	L	H		
T106 - 007	20	¾"	26.7	18 x 1.5	69.0	49.5	M6	
T106 - 010	25	1"	33.6	18 x 1.5	75.6	59.5	M6	
T106 - 012	32	1¼"	42.4	18 x 1.5	84.4	66.5	M6	
T106 - 015	40	1½"	48.5	18 x 1.5	98.5	72.0	M6	
T106 - 020	50	2"	60.6	18 x 1.5	106.6	85.0	M6	



FEATURES & BENEFITS

- ASTRAL® Base U Clamps are designed to secure Steel, Copper, uPVC, CPVC pipe tight against any surface.
- Base U Clamps are made from steel and are recommended for use in almost any circumstances in which a pipe is to be fastened securely against a steel, wood, or concrete surface.
- ASTRAL® Base U Clamps Recommended for support of pipe lines running at a definite distance from the wall or floor of a building or structure.

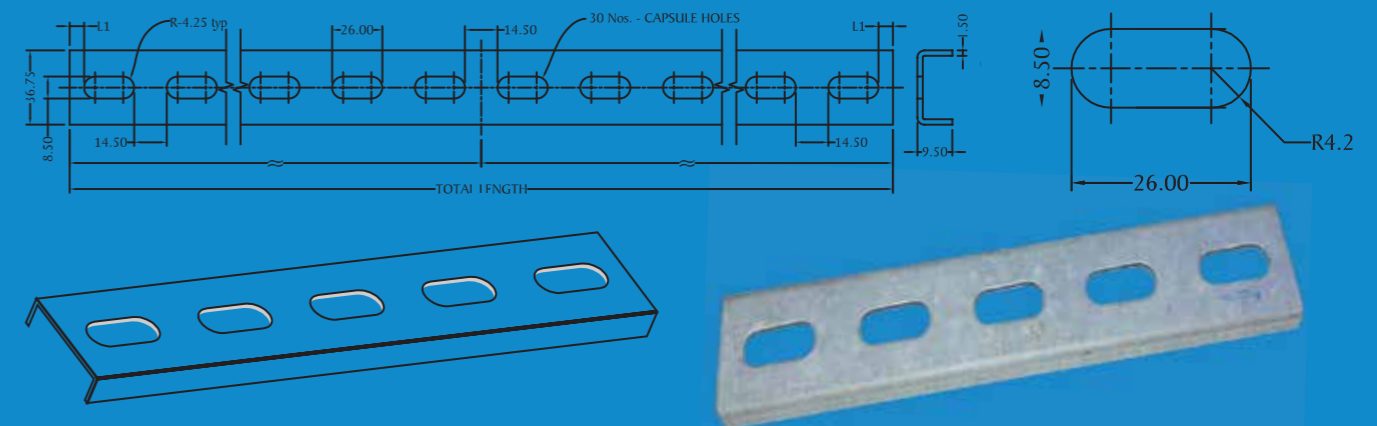
SLOTTED 'C' CHANNELS & BASE CLAMPS



Slotted 'C' Channels & Base Clamps are useful in multiple pipelines, cables of different sizes, useful for maintaining level to lay multiple liner whether horizontal, vertical, roof hanging or grounded by accommodating & checking curve formation. Easy in installation, maintenance & clamping by comfortable approach of each lines from back side.

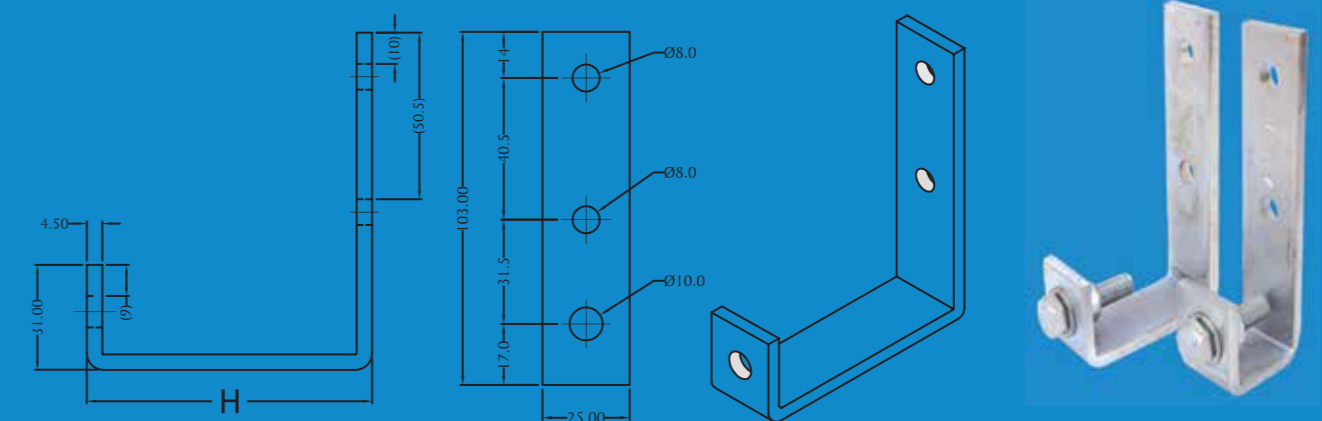
SLOTTED "C" CHANNEL

Product	Product Code	Size		TOTAL LENGTH (mm)	L1	NOS. OF CAPSULE HOLES
		Feet	Inch			
SLOTTED "C" CHANNEL	T123 - 040	4'	48"	1219.20	9.35	30 HOLES
	T123 - 080	8'	96"	2438.40	11.45	60 HOLES



BASE CLAMP

Product	Product Code	Dimension		
		H	L	W x T
BASE CLAMP	T124 - 003	35	103	25 x 4.5
	T124 - 002	61	103	25 x 4.5
	T124 - 001	87	103	25 x 4.5



SLOTTED BASE & SLOTTED STRIPS

Slotted base are useful in multiple pipelines, cables of different sizes, useful for maintaining level to lay multiple liner whether horizontal, vertical, roof hanging or grounded by accommodating & checking curve formation. Easy in installation, maintenance & cleaning by comfortable approach of each line from back side.

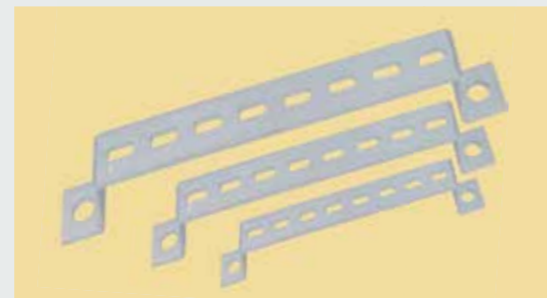
SLOTTED BASE

Product Code	Width x Thickness mm	Hold Size mm	Size (Strip Length)
T121 - 200	30 x 3	26 x 8.5	200mm
T121 - 300	30 x 3	26 x 8.5	300mm
T121 - 400	30 x 3	26 x 8.5	400mm
T121 - 500	30 x 3	26 x 8.5	500mm

Slotted strip have multiple utility application for installing providing item. Useful for joining two ends of any type of slotted base without overlapping them such as angels etc.

SLOTTED STRIPS

Product Code	Width x Thickness mm	Hold Size mm	Size (Strip Length)
T122 - 200	30 x 3	26 x 8.5	200mm
T122 - 300	30 x 3	26 x 8.5	300mm
T122 - 400	30 x 3	26 x 8.5	400mm
T122 - 500	30 x 3	26 x 8.5	500mm



FEATURES & BENEFITS

- SLOTTED STRIPS & SLOTTED BASE are designed to secure Steel, Copper, uPVC, CPVC pipe tight against any surface.
- SLOTTED STRIPS & SLOTTED BASE may be obtained in alloy steel for high temperatures or to special dimensions to your specifications.

ELECTRIC JUNCTION FLUSH BOXES



At ASTRAL®, We are offering an extensive assortment of Electric Junction Boxes that are used in connecting wires together for distribution of electricity. User-friendliness, durability, high tensile strength and robust construction are some of the features of these boards. ASTRAL® junction boxes are designed using finest quality raw material that is sourced from some of the reliable vendors of the industry. ASTRAL® junction boxes also available with powder coating. ASTRAL® Junction boxes are used in wash down and damp locations. They are installed in air plenum walls or ceilings for lighting fixtures, switches, receptacles or other outlet devices. junction boxes are used to bring power to a number of electrical devices where multiple conductor runs are split in two or more directions.

Product Code	Module	L x W x H mm	Thickness mm
T131 - 001	1 or 2	78 x 78 x 50	0.80
T131 - 002	3	97 x 78 x 50	1.00
T131 - 003	4	135 x 78 x 50	1.00
T131 - 004	6	206 x 78 x 50	1.00
T131 - 005	8	135 x 131 x 60	1.00
T131 - 006	8H	232 x 78 x 50	1.00
T131 - 007	12	208 x 130 x 55	1.00
T131 - 008	16	230 x 142 x 55	1.00
T131 - 009	18	206 x 206 x 60	1.00



FEATURES & BENEFITS

- High Finish
- Heavy Duty
- Rust Free
- Greater Safety
- No Maintenance
- More Strength

FASTENERS

ASTRAL® Fasteners serve a definite purpose in the construction and installation. They provide the holding strength for anything, which needs to be put in a certain place for all the times.

These fasteners provide easy, fast and convenient support for installation of sanitary equipment like toilet seats, washbasins, and geysers without much harm to the tiles since they can be used over the tiles. Besides they give liberty for changing the fixture position also.



FULL THREADED ROD		NUTS & WASHERS		JOINTER NUTS	
Product Code	Size	Product Code	Size	Product Code	Size (mm) & Length (mm)
T141 - 006	M6	T142 - 006	M6	T143 - 006	M6 x 25
T141 - 008	M8	T142 - 008	M8	T143 - 008	M8 x 30
T141 - 010	M10	T142 - 010	M10	T143 - 010	M10 x 40
T141 - 012	M12	T142 - 012	M12	T143 - 012	M12 x 50
T141 - 016	M16	T142 - 016	M16	T143 - 016	M16 x 50

